



ALBERTA AADL ORDER FORM XL5 AND XL5CI MANUAL WHEELCHAIR

**AADL MSRP PRICES
ONLY**

2018-11-29



Date:	P.O.#:	Account#:
Made for (client):		
Ordered by:		
Organization:		
Address:		
Phone:	Fax:	
CONFIRM ORDER BY E-MAIL		Yes <input type="checkbox"/> No <input type="checkbox"/>
SUBSCRIBE TO PHYSIPRO NEWSLETTER		Yes <input type="checkbox"/> No <input type="checkbox"/>
YOUR EMAIL ADDRESS		

			Price
01	XL5 Manual Wheelchair (Seat-to-Floor Height of 13")	<input type="checkbox"/>	\$ 2 125
FRAME COLORS			
02	Glossy Black <input type="checkbox"/> Silver <input type="checkbox"/>	←	n/c
FRAME			
	DOUBLE FOLDING MECHANISM —ACTIVE USER, SPASTICITY, BARIATRIC <small>(WE SUGGEST THE DOUBLE CROSS-BRACE FROM 18" WIDTH AND 250 POUNDS AND OVER)</small>	<input type="checkbox"/>	\$ 255
03	Seat Width 14" <input type="checkbox"/> 15" <input type="checkbox"/> 16" <input type="checkbox"/> 17" <input type="checkbox"/> 18" <input type="checkbox"/> 19" <input type="checkbox"/> 20" <input type="checkbox"/> 21" <input type="checkbox"/> 22" <input type="checkbox"/> 23" <input type="checkbox"/> 24" <input type="checkbox"/> <small>(The width of the chair when closed is slightly higher for 23" and 24" wide seats.)</small>	←	n/c
04	Seat Depth 14" <input type="checkbox"/> 15" <input type="checkbox"/> 16" <input type="checkbox"/> 17" <input type="checkbox"/> 18" <input type="checkbox"/> 19" <input type="checkbox"/> 20" <input type="checkbox"/> 21" <input type="checkbox"/> 22" <input type="checkbox"/> 23" <input type="checkbox"/> 24" <input type="checkbox"/>	←	n/c
05	Heavy Duty Include reinforced frame and reinforced footrest <small>(Necessary with 23" and 24" width - Double folding mechanism required)</small>	<input type="checkbox"/>	\$ 280
BACK POST			
06	Back Post Options Straight with push handle 0° <input type="checkbox"/> 8° Bend with push handle <input type="checkbox"/>	←	n/c
ANGLE ADJUSTABLE BACKREST WITH PUSH HANDLE			
07	Back Angle 85° <input type="checkbox"/> 90° <input type="checkbox"/> 95° <input type="checkbox"/> 100° <input type="checkbox"/> 105° <input type="checkbox"/> 110° <input type="checkbox"/> 115° <input type="checkbox"/>	←	n/c
BACK HEIGHT SETTING (WITH ADJUSTABLE UPRIGHTS)			
08	Back Height — From 15" to 20" Desired Height: _____ "	←	n/c
09	Back Height Modification — From 12" to 14" and from 21" to 25" Desired Height: _____ "	←	\$ 95 pair
SEAT UPHOLSTERY AND BACK			
SEAT			
10	Standard Seat Sling	<input type="checkbox"/>	n/c
11	Rigid (flat)	<input type="checkbox"/>	\$ 325
12	Omit	<input type="checkbox"/>	n/c
BACK			
13	Standard Upholstery	<input type="checkbox"/>	n/c
14	Omit Backrest	<input type="checkbox"/>	n/c
15	PREMIUM — Tension Adjustable Back	<input type="checkbox"/>	\$ 410
16	Tension Bar	<input type="checkbox"/>	\$ 165

Weight Capacity:
Double Mechanism Model
350 lb



			Price
ARMREST			
U-TYPE — Flip back, removable, height adjustable			
17	From 7" to 12" Adjustable by ½" increments ½" gap on each side	<input type="checkbox"/>	\$ 285 ea.
18	Armrest Height Modification — More than 12" Desired Height _____ "	←	\$ 112 pair
T-TYPE — Removable, height adjustable			
19	From 9 ½" to 15 ½" Adjustable by ½" increments ½" gap on each side	<input type="checkbox"/>	n/c
20	Armrest Height Modification — More than 15 ½" Desired Height _____ "	←	\$ 112 pair
ARMPAD			
21	Foam Pad - Desk Length (2 ¼" x 10")	<input type="checkbox"/>	n/c
22	Foam Pad - Full Length (2 ¼" x 14")	<input type="checkbox"/>	n/c
FOOTREST AND ARTICULATING LEGREST			
FOOTREST — Swing away and adjustable in height from 14" to 19"			
23	60°	<input type="checkbox"/>	n/c
24	70°	<input type="checkbox"/>	n/c
25	90° (Available in black only)	<input type="checkbox"/>	\$ 149 pair
26	Footrest Height Modification — Less than 14" or over 19" Desired Height _____ " (± ¼")	←	\$ 79 pair
ELEVATING AND ARTICULATING LEGREST — Calf support and standard footplate included			
27	Pair Desired Length (from 14" to 19"): _____ "	←	\$ 545
28	One Legrest — Right <input type="checkbox"/> Left <input type="checkbox"/> Desired Length (from 14" to 19"): _____ "	←	\$ 273
CALF SUPPORT — Included when ordering elevating legrest			
29	Standard Padded (6" x 8")	<input type="checkbox"/>	\$ 155 ea.
30	Profiled Padded (6" x 8")	<input type="checkbox"/>	\$ 165 ea.
FOLDING FOOTPLATE			
31	Composite, Flip-up Footplate, Standard Size — Width 6", Depth 6 ¾"	<input type="checkbox"/>	n/c
32	Aluminum, Angle and Depth Adjustable, Standard Size — Width 6", Depth 6 ¾"	<input type="checkbox"/>	\$ 180 pair
33	Aluminum, Angle and Depth Adjustable, Oversized Desired Width: 6" <input type="checkbox"/> , 7" <input type="checkbox"/> or 8" <input type="checkbox"/> Desired Depth: 9" <input type="checkbox"/> or 10" <input type="checkbox"/>	←	\$ 195 pair
34	One Piece Footplate, Angle and Depth Adjustable Desired Depth: 6" <input type="checkbox"/> , 7" <input type="checkbox"/> , 8" <input type="checkbox"/> , 9" <input type="checkbox"/> or 10" <input type="checkbox"/>	←	\$ 350
STRAP			
35	Heel Support Strap — Adjustable in Length	<input type="checkbox"/>	n/c
36	Calfrest Support Strap	<input type="checkbox"/>	\$ 120



"U" Type



"T" Type



Foam Pad

AADL MSRP PRICES ONLY

			Price
WHEEL LOCK			
37	Push to lock	<input type="checkbox"/>	n/c
38	Pull to lock	<input type="checkbox"/>	\$ 154 pair
39	Fixed Extension Handle	<input type="checkbox"/>	n/c
40	Telescopic Extension Handle	<input type="checkbox"/>	\$ 60 pair
ACCESSORIES			
41	Positioning Belt — Auto Buckle, 2"	<input type="checkbox"/>	\$ 75
42	Anti-tip	<input type="checkbox"/>	n/c
43	Transit tie-down	<input type="checkbox"/>	n/c
CASTERS			
44	Polyurethane	8" x 1 ¼" <input type="checkbox"/>	← n/c
45	Polyurethane	5" x 1 ½" <input type="checkbox"/> 6" x 1 ½" <input type="checkbox"/> 8" x 1 ½" <input type="checkbox"/>	← n/c
46	Polyurethane	4" x 1" <input type="checkbox"/> 5" x 1" <input type="checkbox"/> 6" x 1" <input type="checkbox"/> 7" x 1" <input type="checkbox"/>	← \$ 100 pair
47	Pneumatic	6" x 1 ¼" <input type="checkbox"/> 8" x 1 ¼" <input type="checkbox"/>	← \$ 125 pair
REAR WHEEL SIZE			
48	20" <input type="checkbox"/> 22" <input type="checkbox"/> 24" <input type="checkbox"/>	←	n/c
REAR WHEEL			
49	Mag Wheel	<input type="checkbox"/>	n/c
50	Heavy Duty Spoke Wheel	<input type="checkbox"/>	\$ 145 pair
REAR WHEEL TIRE			
51	Polyurethane	<input type="checkbox"/>	n/c
52	Standard Pressure <i>Minimum seat-to-floor height is 12" when choosing 20" rear wheel</i>	<input type="checkbox"/>	n/c
HANDRIM OPTIONS			
53	Aluminum Handrim	<input type="checkbox"/>	n/c
54	Plastic Coated Handrim	<input type="checkbox"/>	\$ 130 pair
55	1/2" Closer	<input type="checkbox"/>	n/c
56	Omit	<input type="checkbox"/>	n/c
AXLE			
57	Threaded	<input type="checkbox"/>	n/c
58	Quick Release Axle	<input type="checkbox"/>	n/c
59	Extension Plates for Amputee (integrated to the adjusting plate, position 1, p.5)	<input type="checkbox"/>	n/c



Extension Handle



Auto Buckle



Polyurethane



Pneumatic

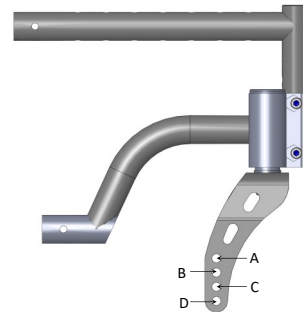
FRONT SEAT TO FLOOR HEIGHT

SELECT DESIRED HEIGHT

XL5

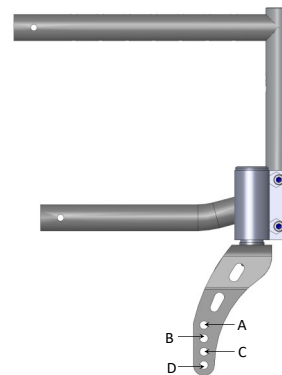
Hemi Frame — Short Fork

	FRONT WHEEL DIAMETER				
POSITION	4"	5"	6"	7"	8"
A					
B		13 <input type="checkbox"/>	13 ½ <input type="checkbox"/>		
C	13 <input type="checkbox"/>	13 ½ <input type="checkbox"/>	14 <input type="checkbox"/>	14 ½ <input type="checkbox"/>	
D	13 ½ <input type="checkbox"/>	14 <input type="checkbox"/>	14 ½ <input type="checkbox"/>	15 <input type="checkbox"/>	15 ½ <input type="checkbox"/>



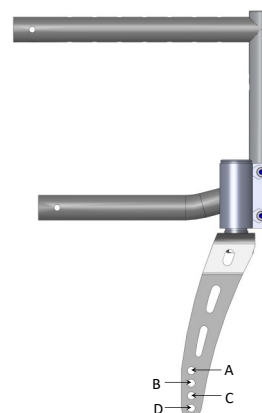
Standard Frame — Short Fork

	FRONT WHEEL DIAMETER				
POSITION	4"	5"	6"	7"	8"
A	15 <input type="checkbox"/>	15 ½ <input type="checkbox"/>			
B	15 ½ <input type="checkbox"/>	16 <input type="checkbox"/>	16 ½ <input type="checkbox"/>		
C	16 <input type="checkbox"/>	16 ½ <input type="checkbox"/>	17 <input type="checkbox"/>	17 ½ <input type="checkbox"/>	
D	16 ½ <input type="checkbox"/>	17 <input type="checkbox"/>	17 ½ <input type="checkbox"/>	18 <input type="checkbox"/>	18 ½ <input type="checkbox"/>



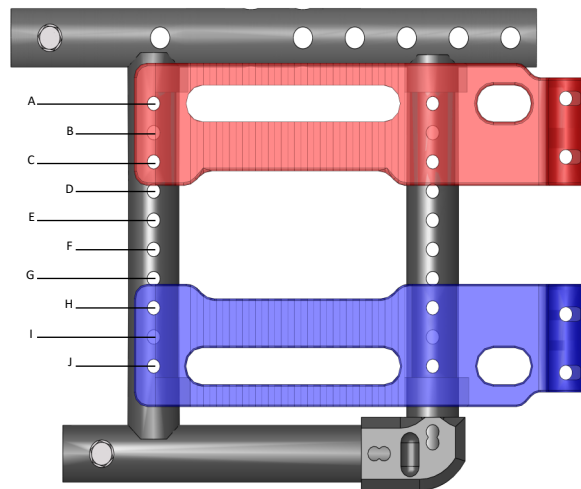
Standard Frame — Long Fork

	FRONT WHEEL DIAMETER				
POSITION	4"	5"	6"	7"	8"
A	17 ½ <input type="checkbox"/>	18 <input type="checkbox"/>	18 ½ <input type="checkbox"/>	19 <input type="checkbox"/>	19 ½ <input type="checkbox"/>
B	18 <input type="checkbox"/>	18 ½ <input type="checkbox"/>	19 <input type="checkbox"/>	19 ½ <input type="checkbox"/>	20 <input type="checkbox"/>
C	18 ½ <input type="checkbox"/>	19 <input type="checkbox"/>	19 ½ <input type="checkbox"/>	20 <input type="checkbox"/>	20 ½ <input type="checkbox"/>
D	19 <input type="checkbox"/>	19 ½ <input type="checkbox"/>	20 <input type="checkbox"/>	20 ½ <input type="checkbox"/>	21 <input type="checkbox"/>



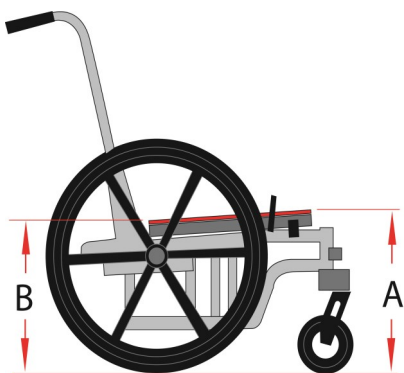
REAR FLOOR TO SEAT HEIGHT TABLE

REAR WHEEL DIAMETER XL5 select desired height			
POSITION	20"	22"	24"
A	13 <input type="checkbox"/>	14 <input type="checkbox"/>	15 <input type="checkbox"/>
B	13 ½ <input type="checkbox"/>	14 ½ <input type="checkbox"/>	15 ½ <input type="checkbox"/>
C	14 <input type="checkbox"/>	15 <input type="checkbox"/>	16 <input type="checkbox"/>
D	14 ½ <input type="checkbox"/>	15 ½ <input type="checkbox"/>	16 ½ <input type="checkbox"/>
E	15 <input type="checkbox"/>	16 <input type="checkbox"/>	17 <input type="checkbox"/>
F	15 ½ <input type="checkbox"/>	16 ½ <input type="checkbox"/>	17 ½ <input type="checkbox"/>
G	16 <input type="checkbox"/>	17 <input type="checkbox"/>	18 <input type="checkbox"/>
H	16 ½ <input type="checkbox"/>	17 ½ <input type="checkbox"/>	18 ½ <input type="checkbox"/>
I	17 <input type="checkbox"/>	18 <input type="checkbox"/>	19 <input type="checkbox"/>
J	17 ½ <input type="checkbox"/>	18 ½ <input type="checkbox"/>	19 ½ <input type="checkbox"/>



Note - The measures are for reference purposes only. They depend on the wheel diameter, tilt angle and the rear wheel axle location.

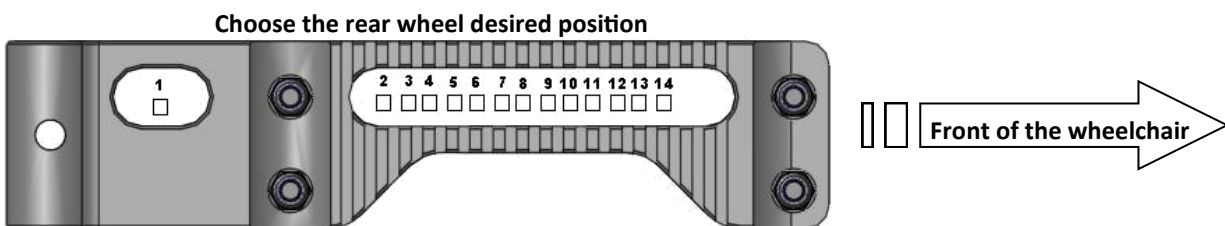
REFERENCE SCHEME



A: SEAT-TO-FLOOR HEIGHT : _____

B: REAR SEAT-TO-FLOOR HEIGHT: _____

REAR WHEEL POSITION



The positions that are less than 5 become incompatible with a 24" rear wheels and a depth of 16".

NOTES