

PACKAGING & WEIGHTS

Individual Unit

- Individual Seat Weight: 5.7 lbs

Individual Packaged Unit

- Packaging: Corrugate Carton
- Packaged Seat Weight: 6.2 lbs
- Packaging Dimensions: 15.44 x 5.72 x 21.8

Master Carton

- 2 Individual Units
- Weight: 13.4 lbs
- Master Carton Dimensions: 15.94 x 11.94 x 22.3

Pallets

- Standard (40x48") Qty: 44

SPECIFICATIONS

- Style: Closed Ring, with Cover
- Size/Shape: Round
- Material: Polypropylene
- Hinges: Hybrid (Stainless steel & polypropylene)
- Hardware Kit: Snap 2 Secure™
- Bumpers: Ring: 2 Super Grip™
- Suggested Uses: Residential & Commercial

CLEANING

Use warm, soapy water to clean your seat.
DO NOT use abrasive cleaners!

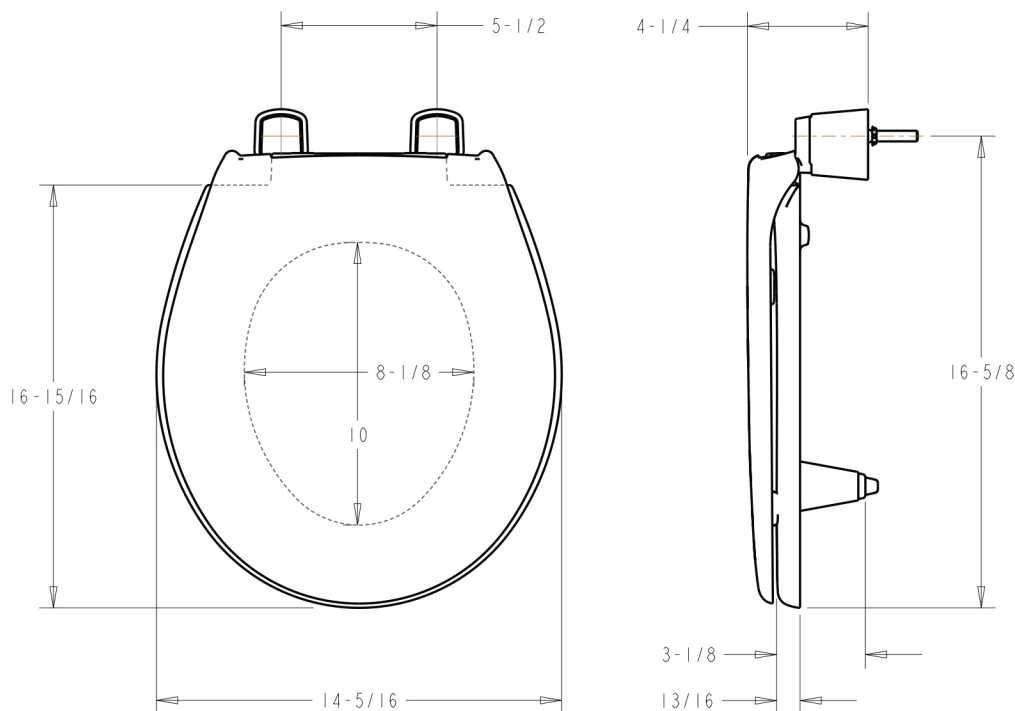
MADE IN

Proudly Made in the USA with 75% or More US Content

AVAILABLE COLORS

White

DIMENSIONS



PACKAGING & WEIGHTS

Individual Unit

- Individual Seat Weight: 6.1lbs

Individual Packaged Unit

- Packaging: Corrugate Carton
- Packaged Seat Weight: 6.75 lbs
- Packaging Dimensions: 15.44 x 5.72 x 21.8

Master Carton

- 2 Individual Units
- Weight: 14.5 lbs
- Master Carton Dimensions: 15.94 x 11.94 x 22.3

Pallets

- Standard (40x48") Qty: 44

SPECIFICATIONS

- Style: Closed Ring, with Cover
- Size/Shape: Elongated
- Material: Polypropylene
- Hinges: Hybrid (Stainless steel & polypropylene)
- Hardware Kit: Snap 2 Secure™
- Bumpers: Ring: 2 Super Grip™
- Suggested Uses: Residential & Commercial

CLEANING

Use warm, soapy water to clean your seat.
DO NOT use abrasive cleaners!

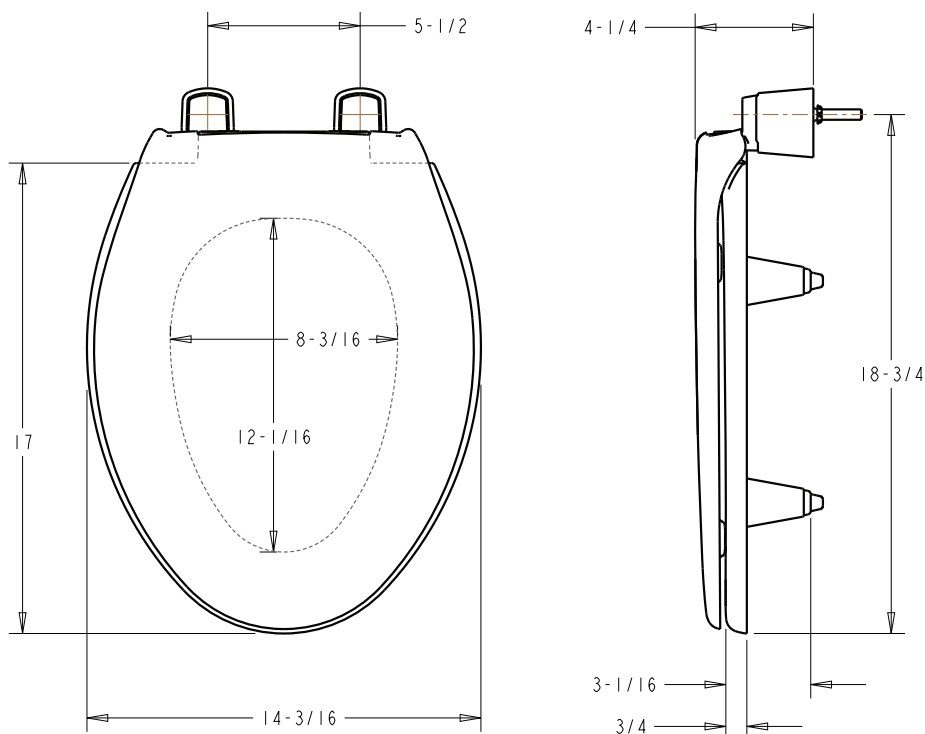
MADE IN

Proudly Made in the USA with 75% or More US Content

AVAILABLE COLORS

White

DIMENSIONS



PACKAGING & WEIGHTS

Individual Unit

- Individual Seat Weight: 5.5 lbs

Individual Packaged Unit

- Packaging: Corrugate Carton
- Packaged Seat Weight: 6.0 lbs
- Packaging Dimensions: 15.44 x 5.72 x 21.8

Master Carton

- 2 Individual Units
- Weight: 13.0 lbs
- Master Carton Dimensions: 15.94 x 11.94 x 22.3

Pallets

- Standard (40x48") Qty: 44

SPECIFICATIONS

- Style: Open Ring, with Cover
- Size/Shape: Round
- Material: Polypropylene
- Hinges: Hybrid (Stainless steel & polypropylene)
- Hardware Kit: Snap 2 Secure™
- Bumpers: Ring: 2 Super Grip™
- Suggested Uses: Residential & Commercial

CLEANING

Use warm, soapy water to clean your seat.
DO NOT use abrasive cleaners!

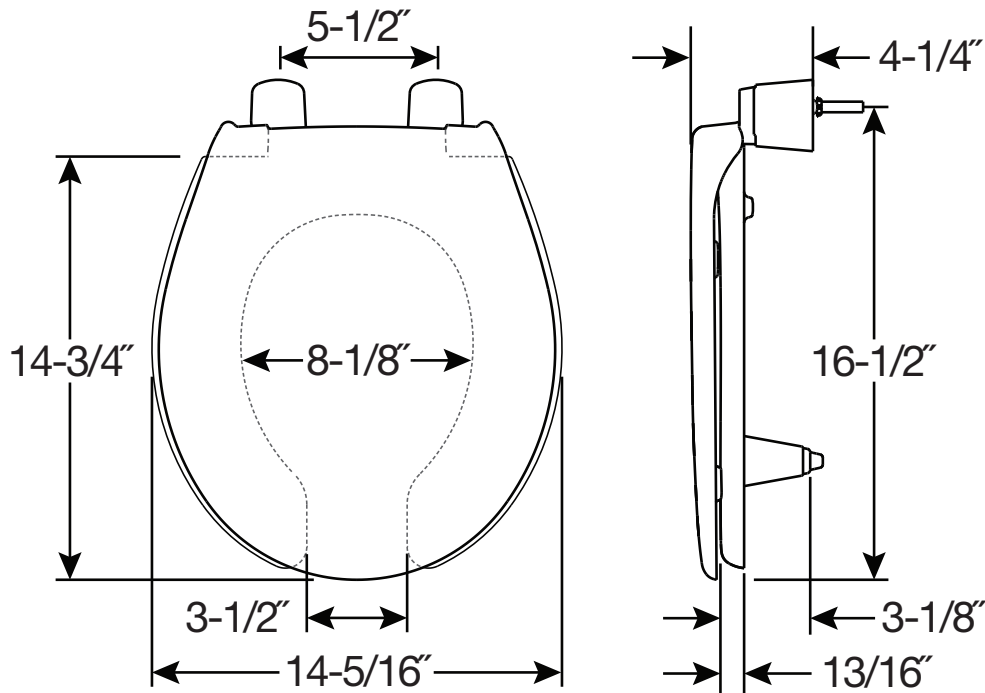
MADE IN

Proudly Made in the USA with 75% or More US Content

AVAILABLE COLORS

White

DIMENSIONS



PACKAGING & WEIGHTS

Individual Unit

- Individual Seat Weight: 5.8 lbs

Individual Packaged Unit

- Packaging: Corrugate Carton
- Packaged Seat Weight: 6.5 lbs
- Packaging Dimensions: 15.44 x 5.72 x 21.8

Master Carton

- 2 Individual Units
- Weight: 14.5 lbs
- Master Carton Dimensions: 15.94 x 11.94 x 22.3

Pallets

- Standard (40x48") Qty: 44

SPECIFICATIONS

- Style: Open Ring, with Cover
- Size/Shape: Elongated
- Material: Polypropylene
- Hinges: Hybrid (Stainless steel & polypropylene)
- Hardware Kit: Snap 2 Secure™
- Bumpers: Ring: 2 Super Grip™
- Suggested Uses: Residential & Commercial

CLEANING

Use warm, soapy water to clean your seat.
DO NOT use abrasive cleaners!

MADE IN

Proudly Made in the USA with 75% or More US Content

AVAILABLE COLORS

White

DIMENSIONS

