



ORMESA[®]
• MADE IN ITALY SINCE 1980 •

Trollino

Suitable for any environment



Trollino

Stability, practicality and comfort: all in one.

Trollino by Ormesa is a compact light seating system for children and teens, ideal to move in any environment.

Easy to handle thanks to the **international patented system** which allows to **fold with one single operation**. Once folded it doesn't increase its length, **occupying minimal space**.

Trollino has a **durable structure** guaranteed by the **double cross** positioned behind the backrest and under the seat which gives greater stability and comfort.

The **upholstery is made with advanced technological materials**: extremely **breathable, durable, easily washable and fire retardant**. It is available in **four colors**: red, blue, pink and black.

With a **wide range of available components**, Trollino easily meets every need.



Trollino is **CRASH TESTED** according to **ISO 7176/19** and **ANSI RESNA WC/19** standards.

PRODUCT
MARKED **CE**

TROLLINO is a **MEDICAL DEVICE** COMPLYING WITH THE SAFETY REQUIREMENTS DEFINED BY REGULATION (EU) 2017/745



Practical and light

It fits your dynamic lifestyle



Trollino has an aluminium **folding frame**, painted with non-toxic epoxy powders.

Once folded it remains **compact**: allowing you to carry Trollino on the rear wheels like a **travel trolley**.

Light **weight** and **easy folding** make it easy to lift and move: perfect if you need to store in the car or take on public transportation.

The **wheels adapt to any** terrain offering maximum comfort to both the caregiver and end-user. So handy that **it can be pushed with one hand**.

Trollino is the **ideal solution** for dynamic families that are looking for **stability, practicality and comfort, all in one!**



Smart upholstery

Leading-edge cover

The upholstery of Trollino has a **honeycomb** leading-edge structure, therefore it is **extremely breathable when in contact with the skin**. The structure of the fabric creates an "air chamber" that allows both **air circulation for maximum breathability**, and an **effective natural thermal insulation**.

The double layer is a guarantee of:

- > **Hygiene:** thanks to the excellent breathability, it reduces sweating and bacteria formation.
- > **Washing:** despite the upholstery is not removable, the fabric composition allows easy sanitization and washing.
- > **Quick drying.**
- > **Durable:** High resistance to abrasion. The high resistance texture maintains its performance even at high loads (ISO 12947 test).
- > **Fire retardant:** according to EN 1021-1:2014 and EN 1021-2:2014.



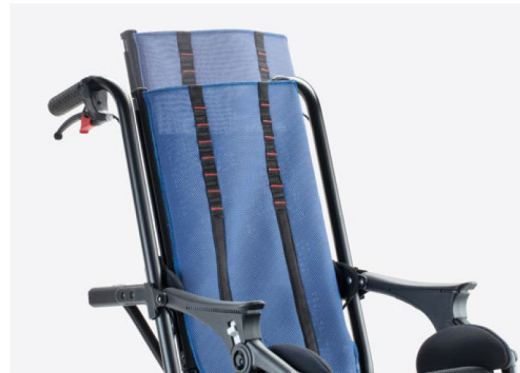
Choose your style:



Four different colors for each personality



Technical features and adjustments



Backrest

Reclines into three positions. Simple adjustment in height by sliding, without the risk of losing the screw. With a bag on the back to store the manual and the supplied wrench. The back cross ensures stability, comfort and durability.



Seat

Ergonomic and slightly tilted seat to prevent slipping of the pelvis and ensure greater comfort. Adjustable in depth by sliding, and adjustable in width by adding component 958 padded pelvic side supports. Simple adjustment without the risk of losing the screw. The cross below ensures stability, comfort and durability.



Handles

Push handles with manual and parking brakes help to manage the stroller in different environments. Adjustment in height with component 951.



Legrest

Adjustable in height.

Footrests

Adjust tilting and swivel footrests in line with the frame without difficulty. Adjustment in tilt with component 956.

The calf support band is also offered for more comfort.



Wheels

with "Ormesa Design" original profile.

Solid, light and **all-terrain wheels.**

Front solid swiveling wheels: 7" (17 cm) diameter.

Rear solid wheels: 10" (25 cm) diameter, with **independent drum brakes.**

Overcoming step bar on both rear wheels.



Components

The Importance of an Ergonomic Seat

For us, **comfort and ergonomics are essential values:** Trollino makes users feel not only safe and extremely comfortable but it also helps to offer an optimal and stable posture in the most difficult circumstances.

From the backrest to the seat, passing through the headrests and the trunk side supports, **each element of Trollino is adjustable in a simple and intuitive way.** Furthermore, with its set of additional components, it offers possibilities of customization and comfort without limits.

Easy to fix and adjust, handy and durable, Trollino's components are designed with the smallest details in mind.

The **international patented system** allows you to **fold with one single operation, even with mounted components** to ensure a fully satisfactory user experience.

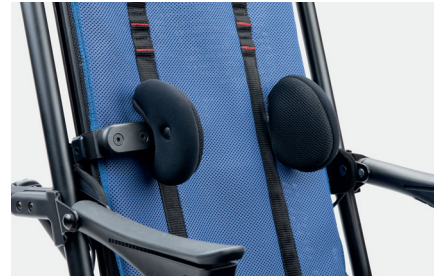
Components



835 Shaped and enveloping headrest
adjustable in height.



865 Padded headrest
adjustable in height.



838 Trunk side supports
adjustable in height, width and rotation.
Available in two sizes.



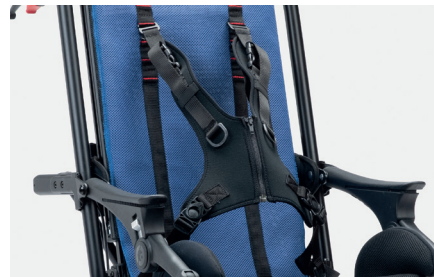
958 Padded pelvic side supports



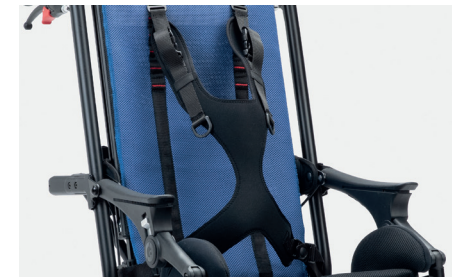
947 Pelvic belt with variable angle
Available in two sizes.



920 Four point pelvic belt
Available in two sizes.



853 Vest harness with zipper
Available in two sizes.



853 slim Four point shaped harness

Components



834N Padded abduction block
removable.



839 Front handlebar
Adjustable in tilt. Easy to remove to fold the stroller.



819 Canopy
Elevating, with bag and rear small window. There is no need to remove the canopy, it can be closed with the stroller!



825 Rain cover
To fix on the 819 canopy.
Back protection Cloth (825B)
available for higher protection against external agents.



818 Thermic cover



960 Heel rests



956 Footrests adjustable in tilt



858 Shopping basket

Components



812 Front wheel directional locks



844 Padded side protection covers



951 Height adjustable push handles

It increases the total height of max. 7 cm/2,7 in (98-105 cm/38,5-41,3 in).

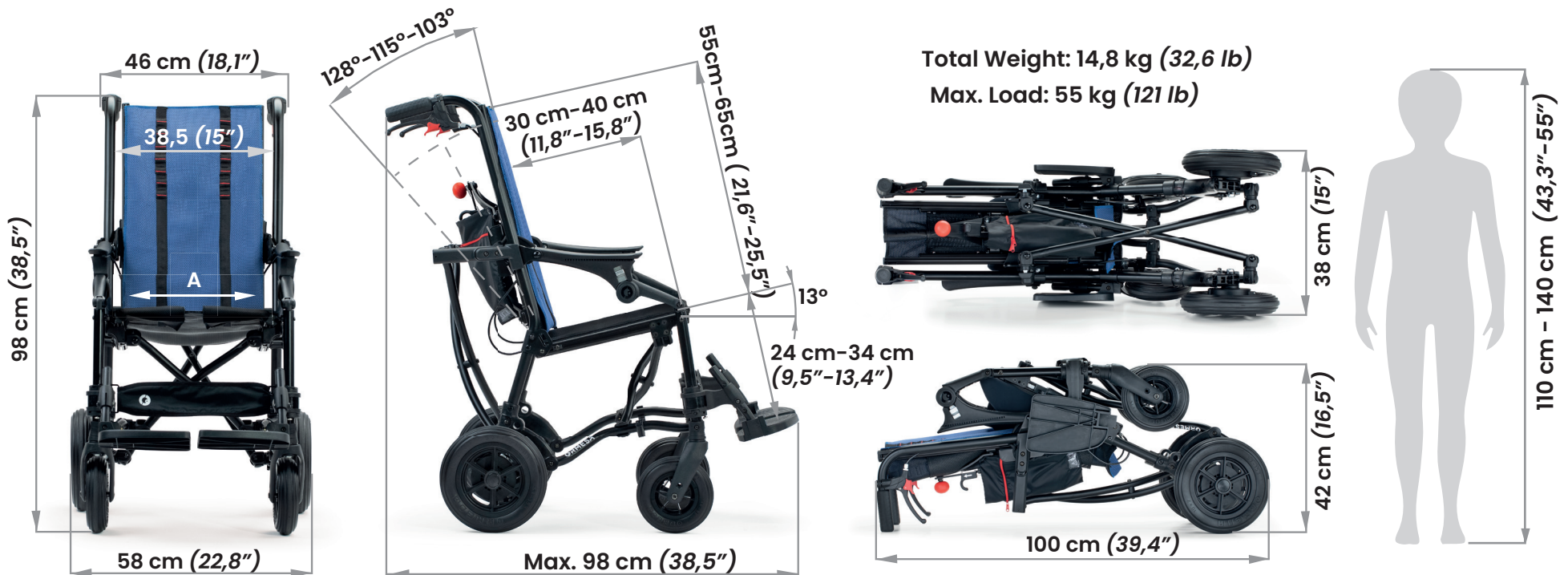


891 Set of 4 tie down hooks

for the forward-facing transport of the pushchair in a motor vehicle (cars, buses..).
See User and Maintenance Manual provided with the aid.



Trollino sizes and weights



A: 36 cm (14"). For different width (32 and 28 cm - 12,6" and 11") please select 958 padded pelvic side supports.

Gaia and her story await you in the Ormesa official website, together with other protagonists of our fantastic global community.





Integrity | Trust | Honesty | Knowledge | Respect

220928 September 28, 2022 3:23 PM



Westech Health Care Ltd.

154 - 5255 McCall Way NE, Calgary, Alberta T2E 7J5
Main: (587) 323-0022 Toll Free: 1 844-323-0022
sales@westechhealth.com
www.westechhealth.com



"Our goal is to help Canadians of all ages live independently with dignity and respect by offering innovative health care products."