



**ORMESA®**

• MADE IN ITALY SINCE 1980 •

**Trolli**





# Wheelchair mobility with a smart approach

Trolli by Ormesa is a compact and light wheelchair for teens and adults, it is **designed to perform in any context of use.**

Trolli has a **stable and resistant structure** guaranteed by the **double cross** positioned behind the backrest and under the seat which gives greater stability and comfort.

Thanks to its **international patented folding system**, Trolli folds quickly with one single operation, occupying the minimum space. Once folded, it remains compact and it can be carried on its rear wheels like a travel trolley.

The **upholstery** is made with **advanced technological materials**: it is **extremely breathable, resistant, easily washable** and **fire retardant**.

It is available in two models: **Trolli T30** and **Trolli T60 with self-propelling wheels.**

Thanks to a **wide range of available components**, it easily meets every need.



Trolli is **CRASH TESTED** according to **ISO 7176/19** and **ANSI RESNA WC/19** standards.



TROLLI is a **MEDICAL DEVICE** COMPLYING WITH THE SAFETY REQUIREMENTS DEFINED BY REGULATION (EU) 2017/745



# More autonomy, more performance

Two versions for every need: Trolli T30 and Trolli T60 with self-propelling wheels



Easy to push and handle, it can be used both on **internal domestic paths and outdoor**, all in complete **practicality and comfort**.

Its **low weight** and its **simplicity of folding**, make it easy to lift or move: it is perfect if you need to store it in the car. It is so easy to handle that **it can be pushed even with one hand**. This makes Trolli T30 the **ideal solution for dynamic families**, often traveling and who are looking for **stability, practicality and comfort, all in one!**

Trolli T30 is equipped with a **braking system connected to the wheelchair push handles** that can be operated directly by the caregiver.

The **“Ormesa Design” original profile wheels** adapt to any terrain offering maximum comfort to both the caregiver and the user:

- **Front solid swiveling wheels** (puncture-proof) , 7” (17 cm) diameter for size 36 and 40; 8” (20 cm) diameter for size 43.
- **Rear solid wheels** (puncture-proof) with **independent drum brakes**, 10” (25 cm) diameter for size 36 and 40; 12” (30 cm) diameter for size 43. **Overcoming step bar** on both rear wheels.

**Trolli T60 with self-propelling wheels** is a wheelchair designed to simplify everyday life without compromising functionality and comfort. It is light and easy to handle and, also this version of Trolli, is foldable and easy to carry.

It is equipped with a **manual braking system** that can be operated directly by the person sitting in it.

The **Ormesa design wheels** guarantee optimal grip on every terrain:

- **Front solid swiveling wheels** (puncture-proof) , 7" (17 cm) diameter.
- **Rear self-propelling wheels**, 22" (56 cm) diameter with **hand brake. Overcoming step bar** on both rear wheels.



# Functional Design



## Foldable in one operation

**Trolli T30** and **Trolli T60 with self-propelling wheels** have an aluminium **folding frame**, painted with non-toxic epoxy powders.

Thanks to the **international patented folding system**, Trolli can be **folded quickly with one single operation**, the swivel footrests are in line with the frame occupying the minimum space. **Once folded the footrests remain compact**: this allows to carry them on their rear wheels with ease.

The **low weight** and **simplicity of folding**, make it easy to lift or move: they meet every mobility need and they are the **ideal solution for transfers of people with mobility difficulties** in airports and stations and to allow access to tight spaces.



# Like a travel trolley



# Extreme breathability



## Leading-edge cover

The upholstery of **Trolli T30 and Trolli T60 with self-propelling wheels** has a **leading-edge structure**, made with **advanced technological materials, extremely breathable in contact with the skin**. It is a guarantee of:

- > **Hygiene:** the texture with essential design allows excellent breathability that reduces sweating and bacteria formation.
- > **Washing:** despite the upholstery is not removable, the fabric composition allows easy sanitization and washing.
- > **Quick drying.**
- > **Resistance:** The high resistance texture maintains its performance even at high loads.
- > **Fire retardant:** Reaction to fire Class 1 (non-flammable combustible materials) according to the MD of 26th. June, 1984 and subsequent amendments and additions.



# Technical features and adjustments



## Seat

Ergonomic and slightly tilted seat to prevent slipping of the pelvis and ensure greater comfort. The cross below ensures stability, comfort and endurance.



## Handles

Push handles with manual and parking brakes. Very useful handles to manage the aid in different environments. Not available for Trolli T60 with self-propelling wheels.



## Footrests

Adjustable in height, tilting and swiveling, in line with the frame without encumbrance. The calf support band is also included for more comfort.

# Components



**947 Pelvic belt with variable angle**

Available in two sizes.



**920 4 point pelvic belt**

Available in two sizes.



**853 slim 4 point shaped harness**



**853 Vest harness with zipper**



**958 Padded pelvic side supports**

With removable internal padding. They reduce the seat width by 4 or 8 cm (1,6 or 3,2 in) removing the internal padding. They are not available on Trolli T60 with self-propelling wheels.



**960 Heel rests**

# Components



**956 Footrests with tilt adjustment**



**858 Shopping basket**



**812 Front wheel directional locks**



**951 Height adjustable push handles**

It increases the total height of max. 7 cm/2,7 in (94-101 cm/37-39,7 in).



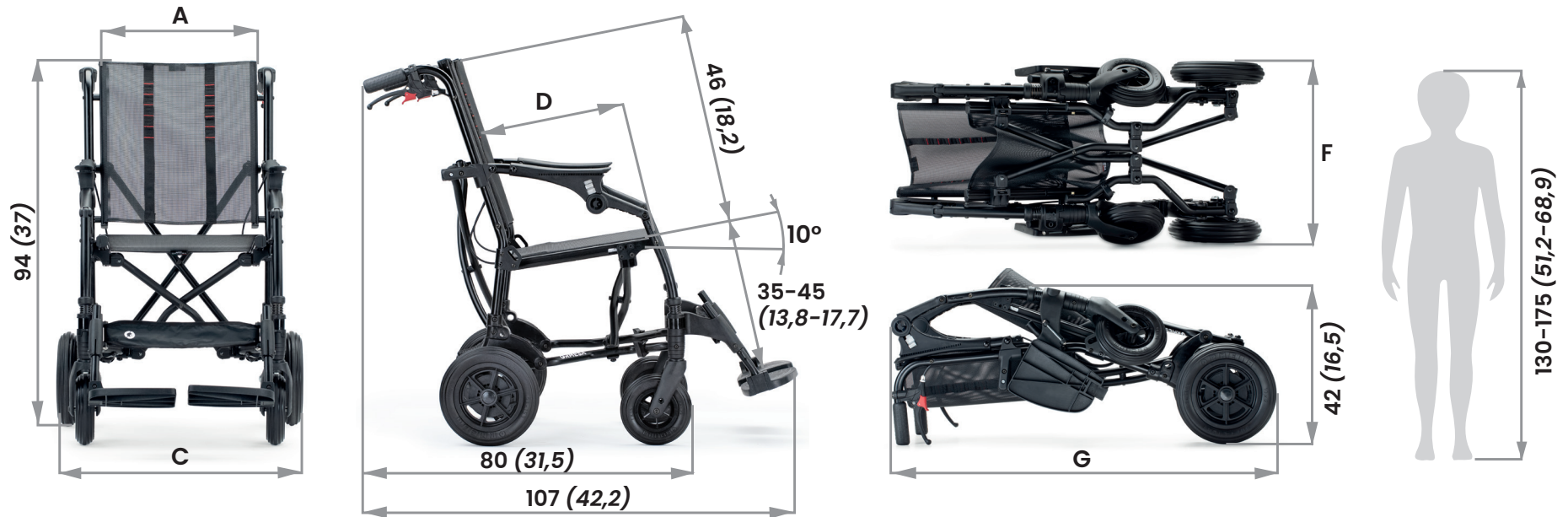
**891 Set of 4 tie down hooks**

for the forward-facing transport of the pushchair in a motor vehicle (private/cars, buses..).  
*See User and Maintenance Manual provided with the aid.*



# Trolli T30 sizes and weights

Unit of measurement: cm (in) ; kg (lb)



	A	C	D	F	G	Trolli T30 Tot. weight	Max. Load
<b>size 36</b>	36 (14,2)	59 (23,2)	36 (14,2)	42 (16,5)	94 (37)	13,1 kg (28,8 lb)	80 kg (176 lb)
<b>size 40</b>	40 (15,7)	63 (24,8)	40 (15,7)	46 (18,1)	94 (37)	13,6 kg (30 lb)	90 kg (198 lb)
<b>size 43</b>	43 (16,9)	66 (26)	40 (15,7)	42 (16,5)	97 (38)	14,1 kg (31 lb)	110 kg (242 lb)

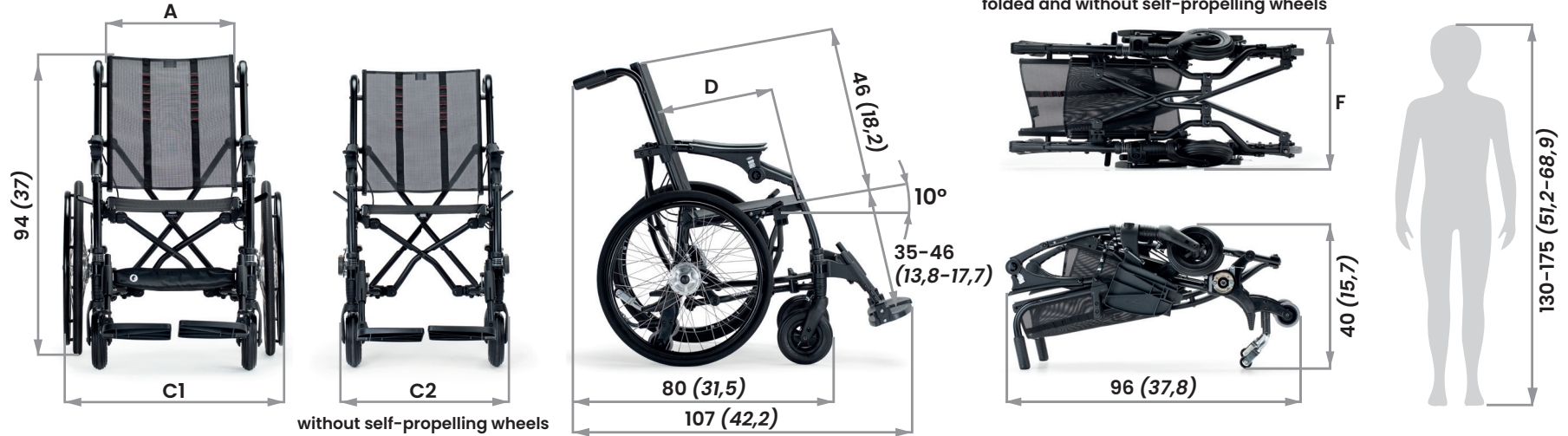




# Trolli T60 with self-propelling wheels

## sizes and weights

Unit of measurement: cm (in) ; kg (lb)



	A	C1	C2	D	F	Trolli T60 total weight	Max. Load
<b>size 36</b>	36 (14,2)	64 (25,2)	49 (19,3)	36 (16,5)	42 (16,5)	16,5 kg (36,3 lb)	80 kg (176 lb)
<b>size 40</b>	40 (15,7)	68 (26,8)	53 (20,9)	40 (15,7)	46 (18,1)	17 kg (37,4 lb)	90 kg (198 lb)
<b>size 43</b>	43 (16,9)	71 (27,9)	56 (22)	40 (15,7)	42 (16,5)	17,5 kg (38,5 lb)	110 kg (242 lb)



Integrity | Trust | Honesty | Knowledge | Respect



220929September30,20224:29PM

Westech Health Care Ltd.

154 - 5255 McCall Way NE, Calgary, Alberta T2E 7J5  
Main: (587) 323-0022 Toll Free: 1 844-323-0022  
sales@westechhealth.com  
www.westechhealth.com



"Our goal is to help Canadians of all ages live independently with dignity and respect by offering innovative health care products."